



Model ALT-200-1 Shown

**KEY FEATURES:**

- Touch Pad Controls
- Low Power Consumption
- Feed Pump
- Vibration Isolation Mounts
- 316SS High-Pressure Pump
- 5 Micron Pre-Filtration
- Powder Coated Aluminum Frame
- Digital Remote Display Capable
- Fully Automatic Fresh Water Flush Available

**FCI CONTINUES TO TAKE THE INDUSTRY BY STORM.**

Power and sail boaters who require a low power consumption watermaker will find the FCI Aqualite Series a perfect fit. But, don't let it's small stature fool you. The Aqualite Series embodies absolutely everything FCI Watermakers signifies: superior quality, top-grade materials, impeccable design and unsurpassed engineering. The Aqualite Series incorporates the highest grade components and quality craftsmanship the marine industry has to offer— after all, it is a FCI Watermakers system.

With a production output of 200 GPD, this series of watermakers presents boaters with a low power consumption alternative, producing unlimited pure water on-board for virtually all applications.

For nearly three decades, FCI Watermakers has been pioneering technologies and manufacturing the most reliable, trouble-free watermaking systems for the offshore and boating industries. Each unit is manufactured and live-tested in our facility. Your system comes with peace of mind, and a readily available customer service and technical support team. Our worldwide service network ensures proper maintenance, and unrivaled satisfaction.



**FRESH CLEAN WATER**  
 With proven reliability, your FCI watermaker provides pure drinking and bath water when you need it.



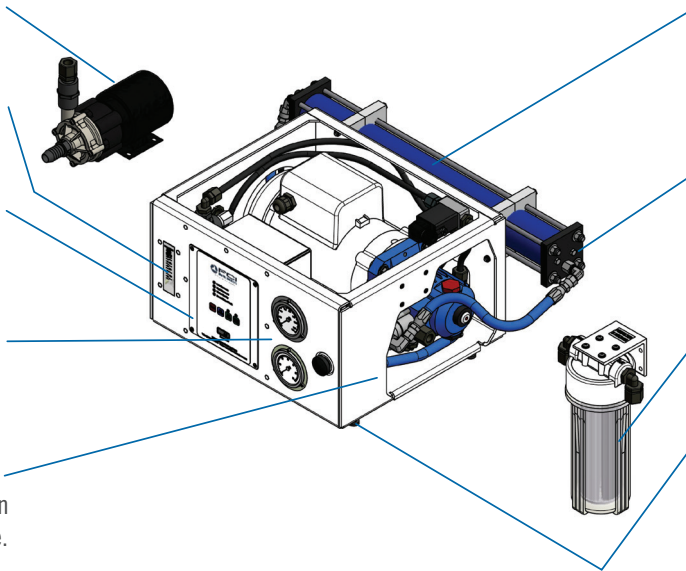
**DIGITAL REMOTE DISPLAY**  
 Allows you to monitor critical conditions of operation and execute fresh water flushes.



**FRESH WATER FLUSH**  
 This optional add-on feature prolongs the life of your system and minimizes excessive repairs.

**AQUALITE SYSTEM FEATURES:**

- LP FEED PUMP: Small footprint, efficient design.
- FLOW METER: Visual indicator of product.
- ELECTRICAL ENCLOSURE: Sealed enclosure to protect electronics.
- PRESSURE GAUGES: Visual indicators aid troubleshooting.
- OPEN FRAME DESIGN: Allows easy visual inspection and access for maintenance.
- MEMBRANE: High Rejection non-proprietary membranes used to obtain the highest quality of product water.
- VESSELS: 316 SS product/pressure ports, and FDA/NSF-51 fittings used on the product water.
- PRE-FILTER: 6 sq. ft. of pleated filter.
- SHOCK MOUNTS: Installed on frame to reduce noise and vibration.



**DESIGN PARAMETERS**

Design Permeate Salinity: < 500ppm  
 Salt Rejection (Chloride): 99.7%  
 Power: 0.61kW  
 Control Voltage: 120/240 VAC  
 Operation Pressure: 825 PSI/56 Kg/cm<sup>2</sup>

**POWER SUPPLY OPTIONS**

VAC/Phase/Hz	120/1/60	Amperes:	8
	240/1/50		5
	240/1/60		4

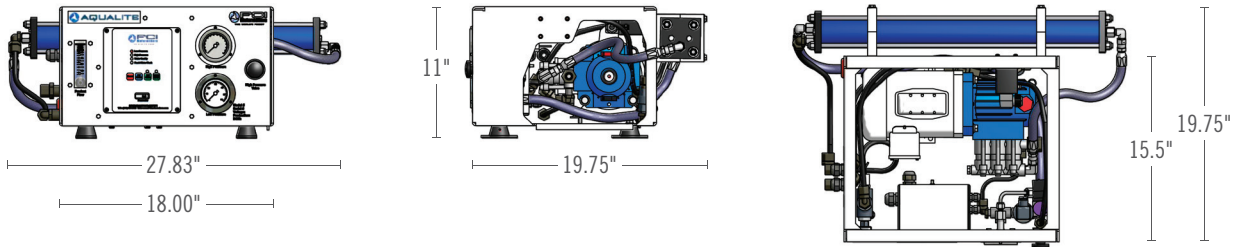
**UTILITIES**

Inlet: 3/4" FNPT  
 Brine: 1/2" Tube  
 Product: 3/8" Tube  
 FWF: 1/2" Tube

MODEL	GPD/LPD	GPH/LPH	AMPS	VOLTAGE	WEIGHT LBS/KG
ALT-200-1	200/757	8.33/31.53	8	110/115, 60 Hz	68 / 30.84
ALT-200-2	200/757	8.33/31.53	4	220/230, 50/60 Hz	68 / 30.84

NOTE: Ratings based on 77°F/25°C; 32,500 TDS Feed; at 800psi, 120/220 vac, 60 Hz.

**DIMENSIONS**



**AVAILABLE OPTIONS:**

- Digital Remote Display
- Fully Automatic Fresh Water Flush
- Spare Kits

